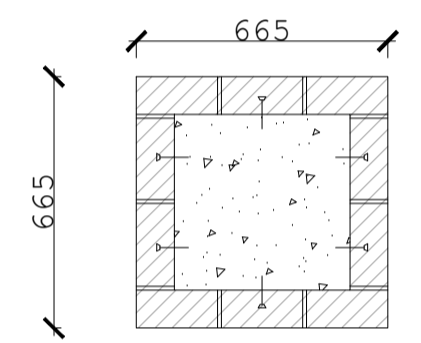
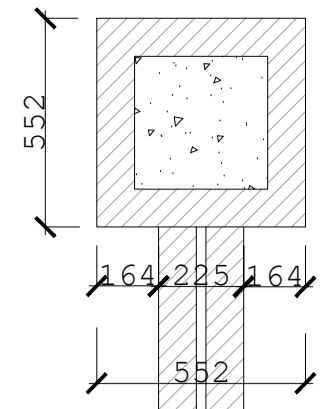
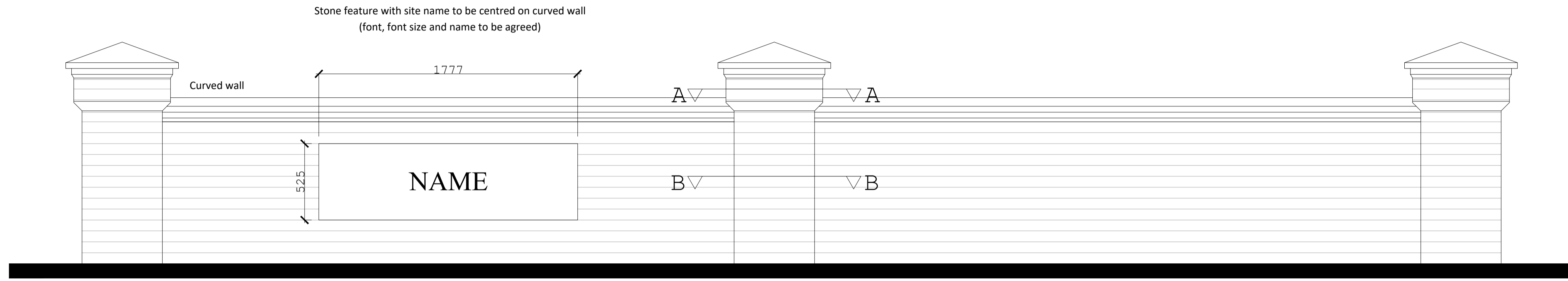


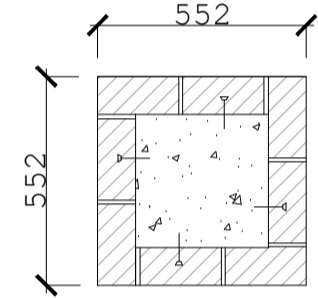
Disclaimer
 Images, layouts and plans are intended for illustrative purposes only and should be treated as general guidance only.
 Plans and layouts including parking arrangements, social / affordable housing, community buildings, play areas and public open spaces may change to reflect changes in the planning permission for the development. Please speak to your Solicitor to whom full details of any planning consents including layouts and plans will be available.
 Plans, layouts and landscaping are not intended to form part of any contract or warranty unless specifically incorporated in writing into the contract.
 The name of this development is a marketing name only and may not be the designated postal address, which may be determined by The Post Office.

Front Elevation (right hand side)

Please refer to Facing Materials Layout for specified brick type

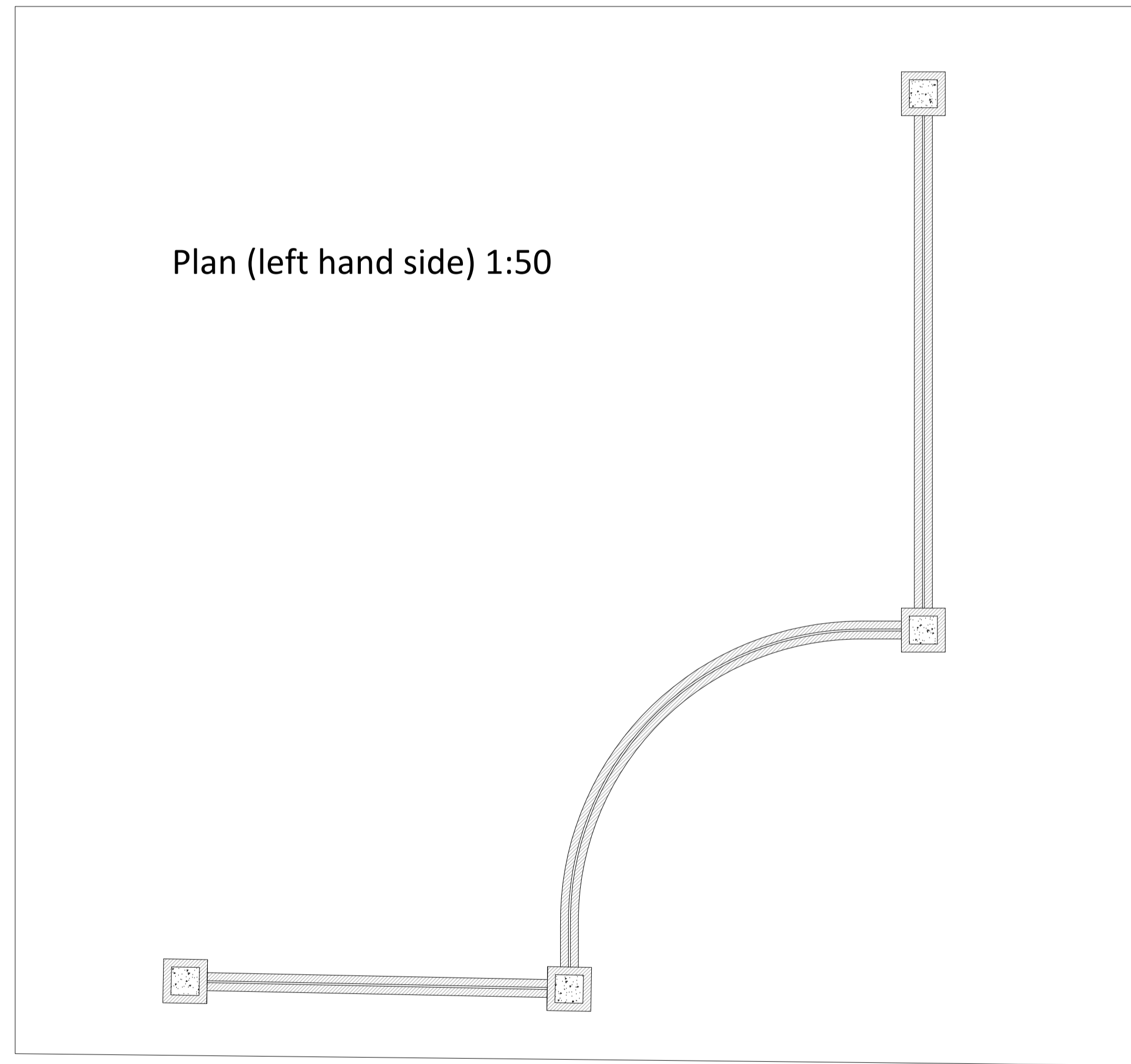


Section A

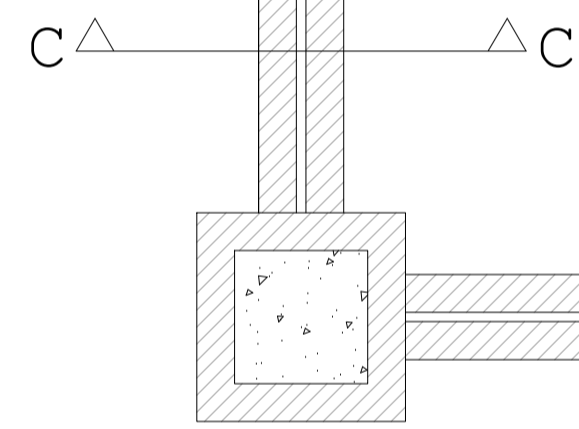


Section B

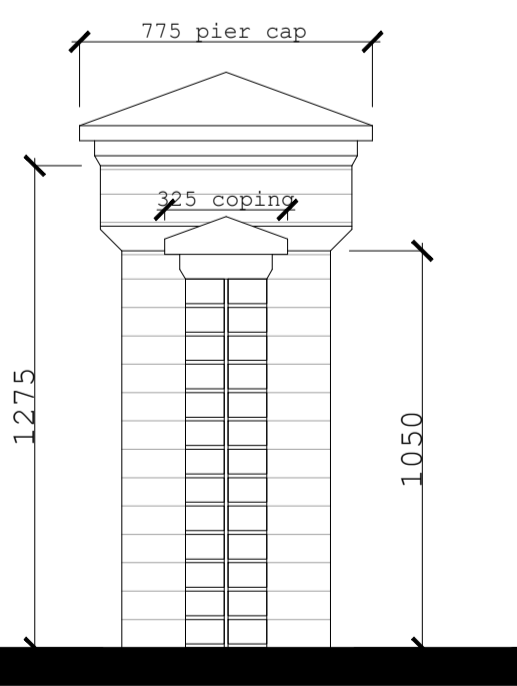
Plan (left hand side) 1:50



Plan (right hand side)

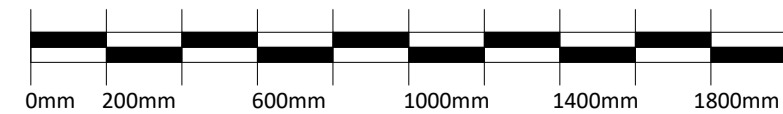


Stone feature with site name



Section C

Scale Bar



A Layout updated to reflect the changes to the latest planning layout ME-24-217. 09.08.21 BG

Rev	Description	Date	Drawn	Chk'd

Urban Design
 Urban Design
 Barratt House
 Forest Business Park
 Bardons Hill
 Leicestershire
 LE67 1UB
 01530 276276

Project
Hither Green
 Land off Hither Green Lane
 Redditch

Drawing Title
Boundary Treatment Details
Entrance Feature Wall 2
 Scale
1:20 @ A1
 Date
25.08.2021
 Drawn By
BG

Drawing Ref
ME-24-45A **DAVID WILSON HOMES**
 WHERE QUALITY LIVES

If when printing to scale, please ensure that your printer settings are set to Page Scaling = None. Do not allow any fit to page settings as this will alter the scale of the drawing. You can use the scale bar or grid to check the printed drawing.